

FAG

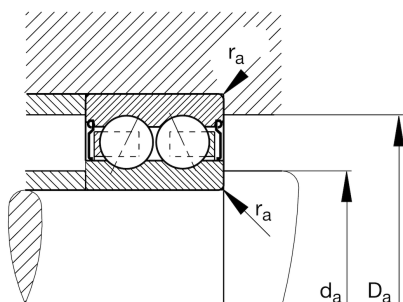
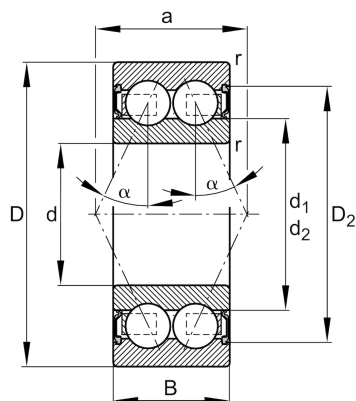
3218-BB-2RS-TVH

Angular contact ball bearing

Schaeffler ID:
0959703390000

Angular contact ball bearing 32..-B-2RS-TVH, double row, seals, plastic cage

Technical information

**Main Dimensions & Performance Data**

d	90 mm	Bore diameter
D	160 mm	Outside diameter
B	52,4 mm	Width
C_r	142.000 N	Basic dynamic load rating, radial
C_{0r}	142.000 N	Basic static load rating, radial
C_{ur}	6.500 N	Fatigue load limit, radial
n_G	2.370 1/min	Limiting speed
	3,87 kg	Weight

Dimensions

r_{min}	2 mm	Minimum chamfer dimension
D_2	145,2 mm	Caliber diameter outer ring
d_2	112,1 mm	Caliber diameter inner ring
a	81,4 mm	Distance between the apexes of the pressure cones
α	25 °	Contact angle

Mounting dimensions

$d_{a min}$	104 mm	Minimum diameter shaft shoulder
$D_{a max}$	146 mm	Maximum diameter of housing shoulder
$r_{a max}$	2 mm	Maximum fillet radius

Temperature range

T_{min}	-20 °C	Operating temperature min.
T_{max}	100 °C	Operating temperature max.